

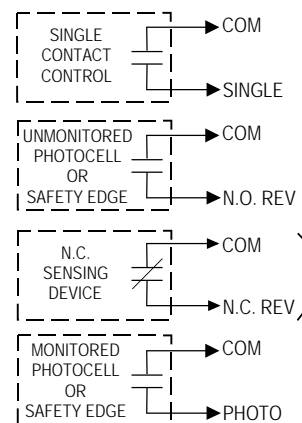
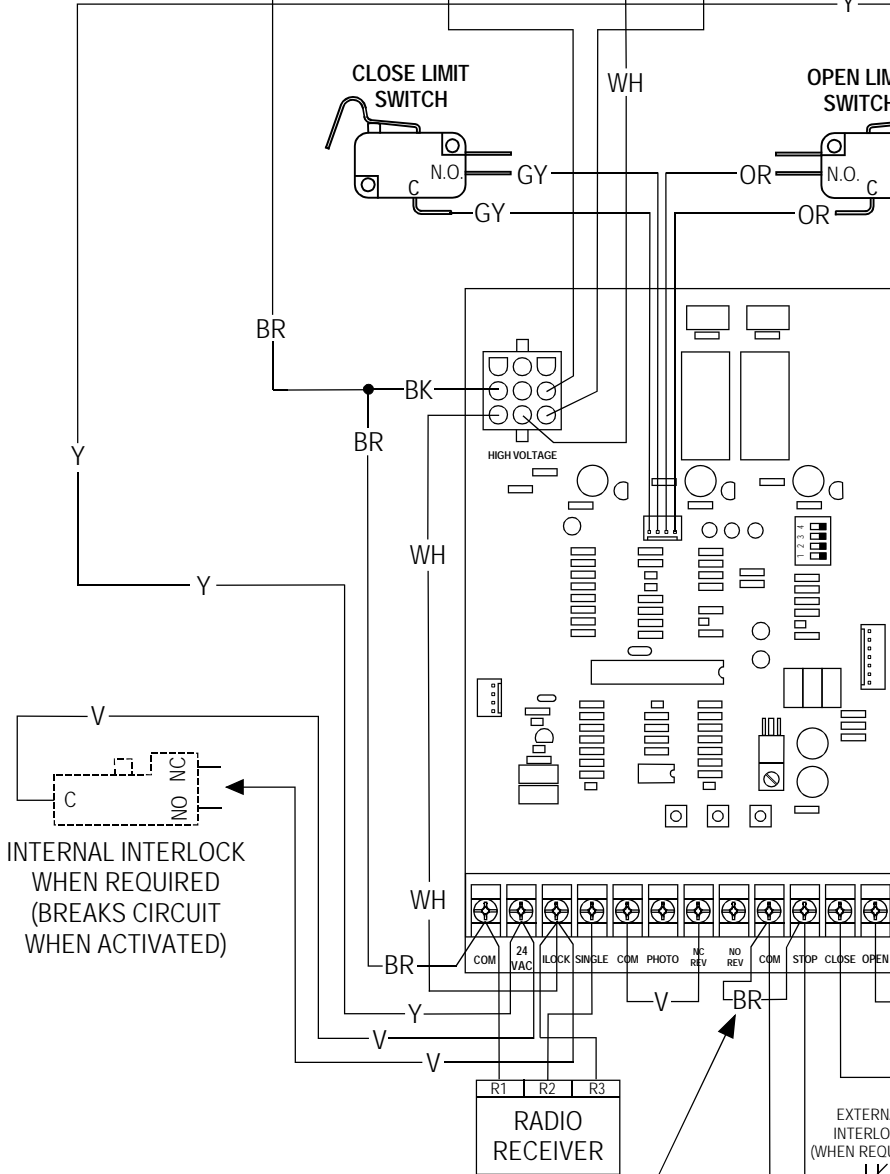
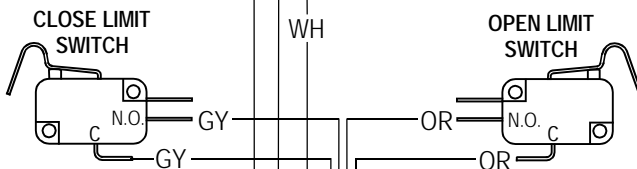
**SETTING OPERATOR MODE SWITCHES**

**NOTES:**

- 1 - A MONITORED SAFETY SYSTEM MUST BE INSTALLED IN ORDER TO SET MOMENTARY PRESSURE OPERATION.
- 2 - FACTORY SETTING IS C2 (CONSTANT PRESSURE CLOSE)

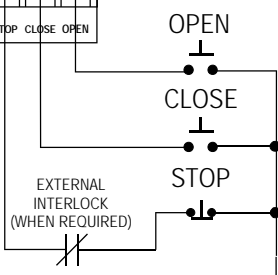
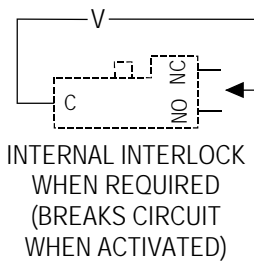
| OPERATING MODE | SWITCH 1 | SWITCH 2 | SWITCH 3 | SWITCH 4 |
|----------------|----------|----------|----------|----------|
| C2 OPERATION   | OFF      | OFF      | OFF      | OFF      |
| B2 OPERATION   | ON       | OFF      | OFF      | OFF      |
| D1 OPERATION   | OFF      | ON       | OFF      | OFF      |
| E2 OPERATION   | ON       | ON       | OFF      | OFF      |
| TS OPERATION   | OFF      | OFF      | ON       | OFF      |
| T OPERATION    | ON       | OFF      | ON       | OFF      |

C2 - CONSTANT PRESSURE CLOSE  
 B2 - MOMENTARY PRESSURE, OPEN / CLOSE  
 D1 - CONSTANT PRESSURE, OPEN / CLOSE  
 E2 - CONSTANT PRESSURE CLOSE, W / ROLL BACK  
 TS - TIMER TO CLOSE  
 T - STOP OR SAFETY DEACTIVATES TIMER



REMOVE VIOLET JUMPER BETWEEN THESE TERMINALS

**WIRED FOR V, 3Ø**



**NOTE:** REMOVE JUMPER FROM COM TO STOP TERMINALS IF STOP BUTTON IS USED.

**PowerMaster**  
 FOR USE WITH: DOOR OPERATORS EQUIPED WITH A 230405 CIRCUIT BOARD, CONTACTOR AND THREE PHASE MOTOR  
 DATE: 1-20-11 REV. 7  
 BY: F.S.  
 CONTROL WIRING DIAGRAM **#6503**  
 © Copyright PowerMaster 2006  
 No portion of this diagram may be reproduced without the expressed written permission of the manufacturer.