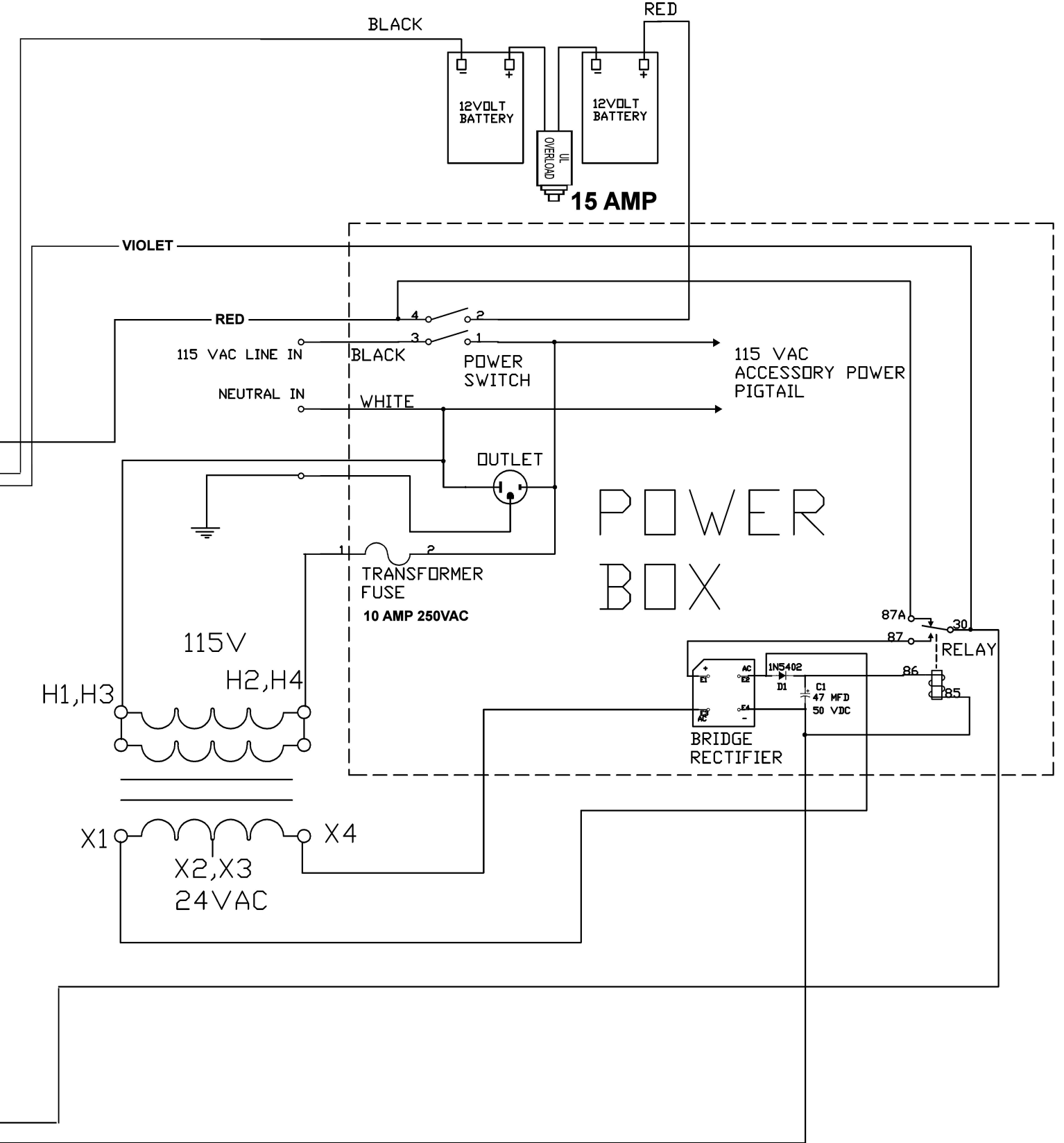
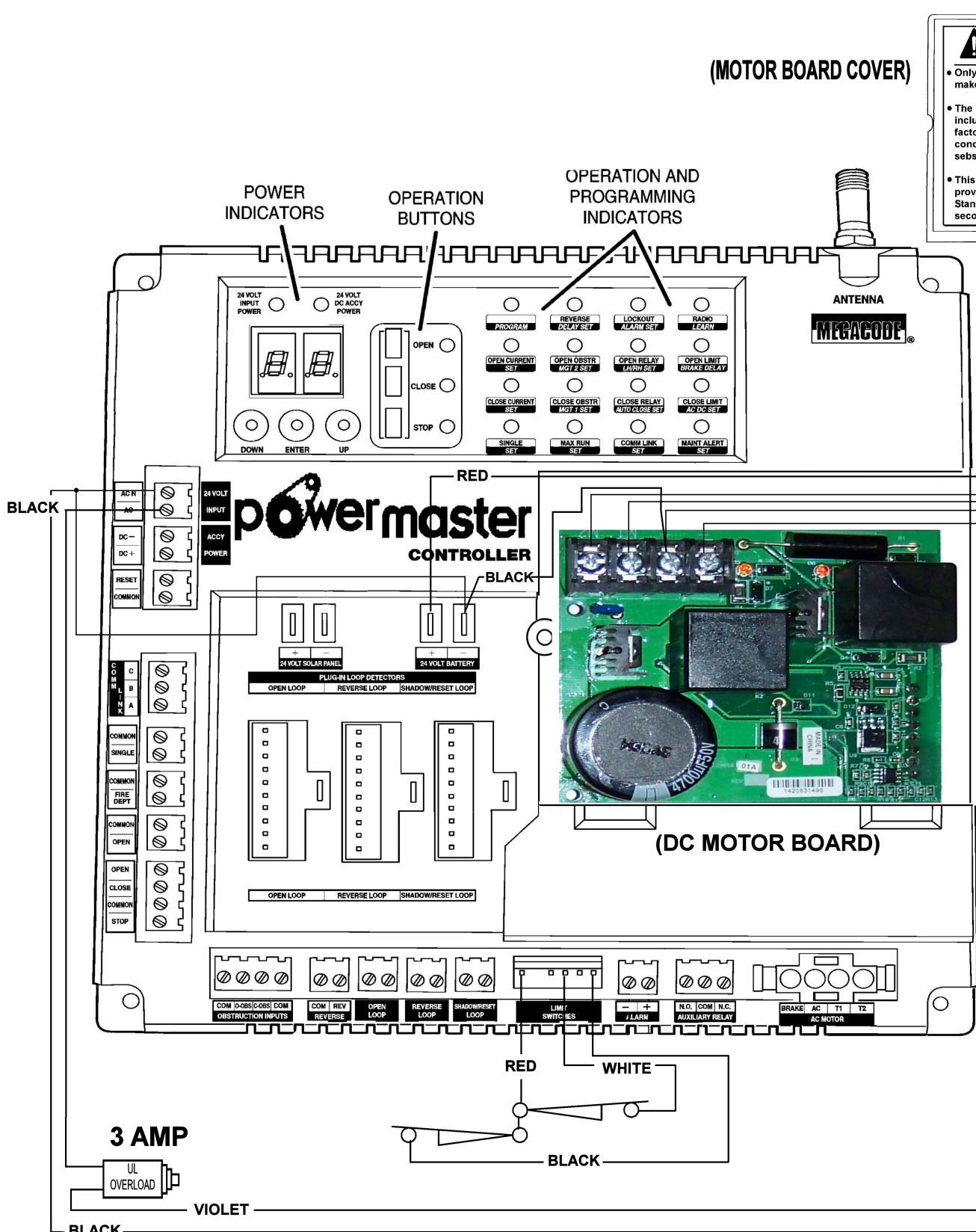


⚠ WARNING ⚠

- Only qualified professionals may service or make adjustments to this controller.
- The inherent entrapment protection system included with this operator is not preset at the factory and must be set and tested per site conditions upon initial installation or subsequent service.
- This operator must be installed to meet provisions of UL325 and ASTM 2200 Safety Standards. This may require the use of optional secondary entrapment protection devices.



powermaster

DATE: 6-9-15	DSW, DSG, DCSG
BY: RPL JR	PM CONTROLLER - DC MB

FOR USE WITH POWERMASTER DC GATE OPERATORS WITH POWERMASTER CONTROLLER.

WD# 7100 REV.1

© Copyright PowerMaster 2015
No portion of this diagram may be reproduced without the expressed written permission of the manufacturer.