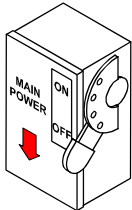


⚠ WARNING

TO PREVENT THE RISK OF PERSONAL INJURY OR DEATH: DISCONNECT POWER AT THE FUSE BOX BEFORE PROCEEDING. ELECTRICAL CONNECTIONS MUST BE MADE BY A QUALIFIED INDIVIDUAL. OBSERVE LOCAL ELECTRICAL CODES WHEN WIRING THE OPERATOR.

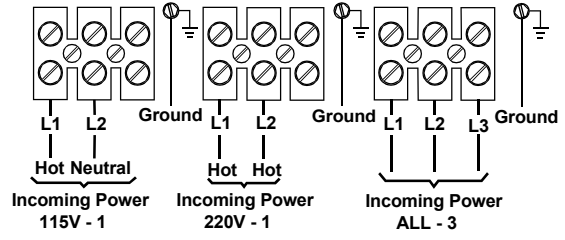
1 AFTER OPERATOR IS MECHANICALLY INSTALLED TURN OFF MAIN POWER.



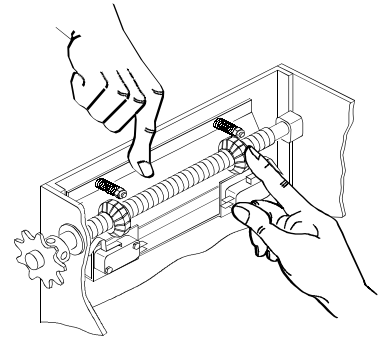
⚠ WARNING

TO AVOID RISK OF INJURY MAKE SURE POWER IS TURNED OFF BEFORE MAKING ANY CONNECTIONS.

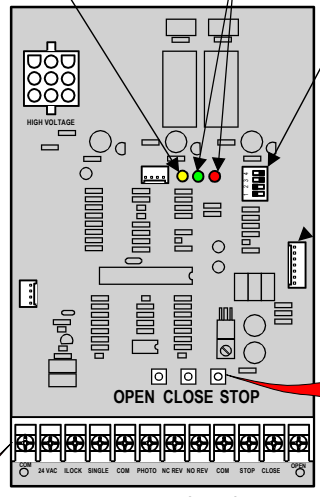
2 CONNECT INCOMING POWER.



3 SET OPEN AND CLOSE LIMITS.



WHEN LIT POWER IS ON TO THE BOARD PROGRAMMING INDICATOR LIGHTS



PROGRAM SWITCHES

BOARD MOUNTED 3-BUTTON CONTROL STATION

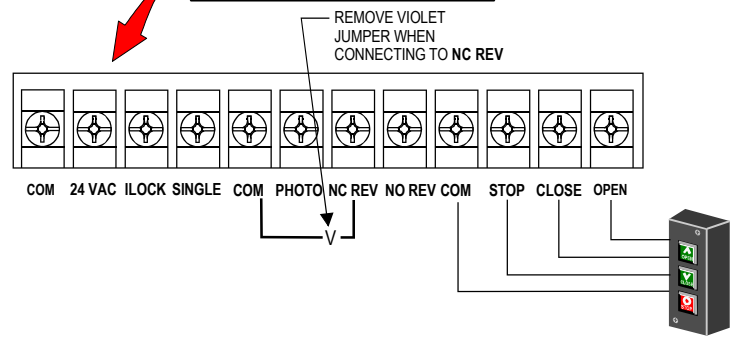
⚠ WARNING

TO AVOID RISK OF INJURY MAKE SURE POWER IS TURNED OFF BEFORE MAKING ANY ADJUSTMENTS.

4 SET OPERATOR MODE. **NOTE:** FACTORY SETTING IS C2 CONSTANT PRESSURE CLOSE.

Operating Mode	Switch 1	Switch 2	Switch 3	Switch 4
C2 Operation	Off	Off	Off	Off
B2 Operation	ON	Off	Off	Off
D1 Operation	Off	ON	Off	Off
E2 Operation	On	On	Off	Off
TS Operation	Off	Off	On	Off
T Operation	On	Off	On	Off

C2 - Close Button Constant Activation
 B2 - Open/Close Momentary Activation
 D1 - Open/Close Constant Activation
 E2 - Close Constant Activation Roll Back
 TS - Recycling Timer to Close
 T - Stop or Safety Deactivates Timer



5 CONNECT CONTROL AND SAFETY DEVICES.

⚠ WARNING

TO PREVENT THE RISK OF PERSONAL INJURY AND/OR DAMAGE TO THE DOOR OR PROPERTY AN ANTI-ENTRAPMENT SAFETY DEVICE MUST BE INSTALLED. (SAFETY EDGE OR PHOTOCCELL) FAILURE TO INSTALL AND TEST THIS SAFETY REVERSING SYSTEM COULD RESULT IN SERIOUS INJURY TEST THIS SYSTEM ONCE A MONTH!

REFER TO MANUAL FOR FURTHER INFORMATION

TOLL FREE TECHNICAL SUPPORT
 1-800-243-4476
 EMAIL TO PMTECH@VEPOWER.NET
 WWW.VEPOWER.NET