

APT

Apartment House Drawbar Operator for Use on Sectional Doors Requiring High Use and Quiet Operation.

STANDARD FEATURES

- RESILIENT MOUNT PSC MOTOR WITH FULL OVERLOAD PROTECTION
- NYLON-LINED TROLLEY
- ONBOARD OPEN/CLOSE/STOP BUTTONS FOR SERVICE AND ADJUSTMENTS
- SOLID STATE CIRCUITRY WITH FEEDBACK LEDs
- AUTO-DETECT, MONITORED PHOTO BEAM
- DRAWBAR DISCONNECT FOR MANUAL OPERATION
- DUAL FUNCTION TIMER
- REMOTE-MOUNTABLE WARNING LIGHT MODULE WITH RED AND GREEN LIGHTS (LED RECOMMENDED)



**STANDARD
LIGHT PACKAGE**



**UPGRADED
LIGHT PACKAGE**



*Complete selection of control stations
& accessories are available.*

All door operators are required to have a monitored safety system, such as monitored photo eyes and/or monitored 2 or 4 wire obstruction sensing edge. In addition, an ancillary device may be used. The primary device must be a constantly monitored, anti entrapment/safety device.

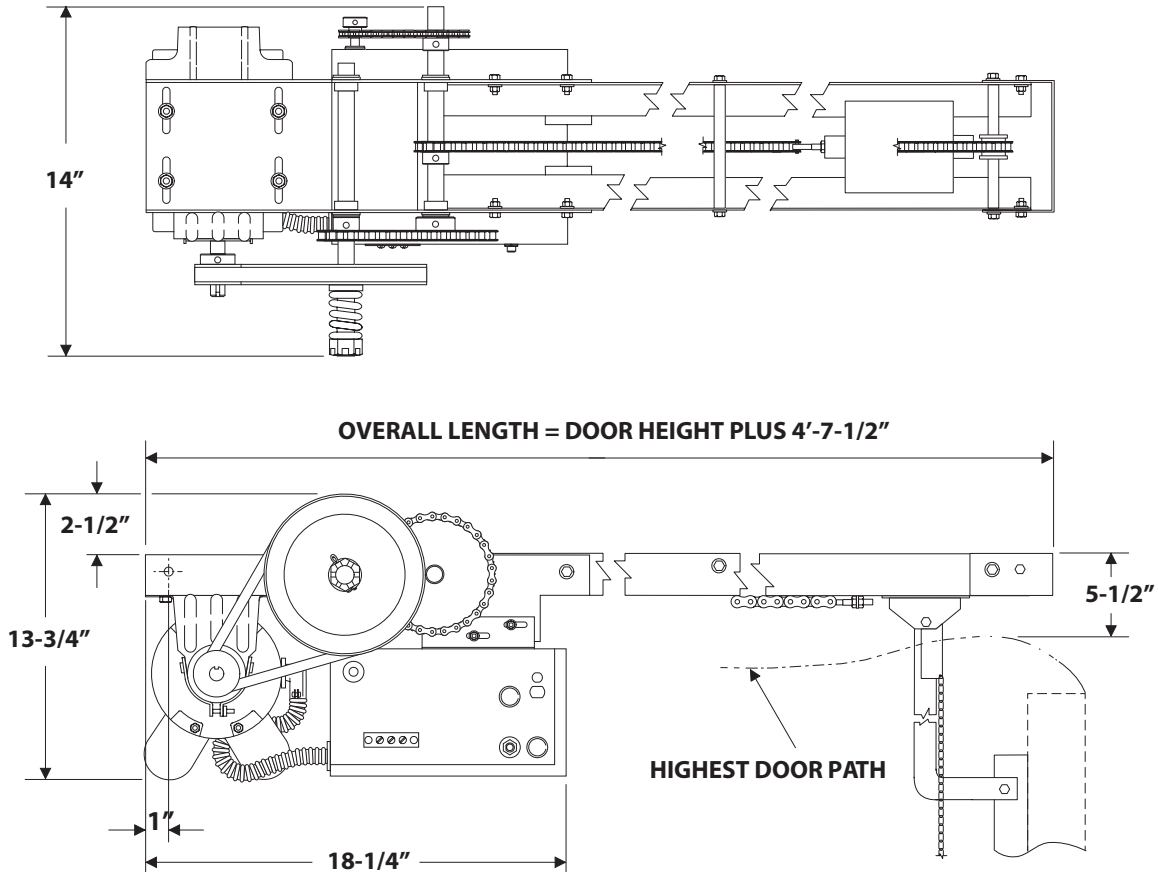


@PowerMaster



/PowerMasterOperators

SPECIFICATIONS & FEATURES



AVAILABLE HORSEPOWER: 1/2 HP

POWER OPTIONS: 115 VOLTS, 1 PHASE

SELECTABLE OPERATING MODES B2, C2, D1, E2, T, TS

FIELD ADJUSTABLE BUILT IN FUNCTIONS INCLUDING:
TIMER TO CLOSE, MID-STOP, DELAY ON REVERSE, LOCK
BAR SENSING, MAXIMUM RUN TIME, ETC.

HEAVY DUTY #41 ROLLER CHAIN AND DRIVE

24 VAC CONTROL CIRCUIT PRE-WIRED TO ACCEPT RADIO
CONTROL, 3 BUTTON STATION, 1 BUTTON STATION,
AUTOMATIC REVERSING EQUIPMENT, AUTOMATIC
CLOSING TIMER, AND ALL TYPES OF ACCESS CONTROL
EQUIPMENT.

ADJUSTABLE TORQUE LIMITING CLUTCH

BAKED ON, BLACK POWDER COAT FINISH

SHIPPING WEIGHT: APPROX. 83 LBS (WITHOUT TRACK)

CAUTION

A moving door can cause serious injury or death! Carefully read and follow all safety instructions, precautions, and guidelines when installing and using this product. Motorized doors are for vehicles only. Pedestrians must use a separate entrance. **NO ONE SHOULD CROSS THE PATH OF A MOVING DOOR!** Proper reversing devices must be installed to avoid all hazards and entrapment. Eliminate all hazards and entrapment areas. Warning signs must be permanently installed and visible to traffic and pedestrians. Never allow children to operate or play with controls. Follow UL 325 and ASTM F220-02 standards. Do not install this product unless all hazards and entrapment points are protected.

